

Litezupp LUSB2

Switched dual USB ports with voltage monitor

The USB charger has dual 18W / 3A QC3.0 charging ports and a Voltage monitor.

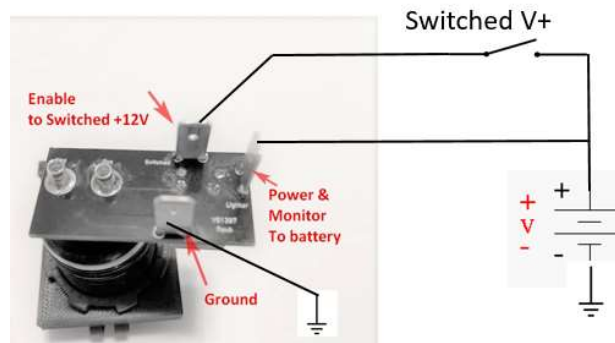
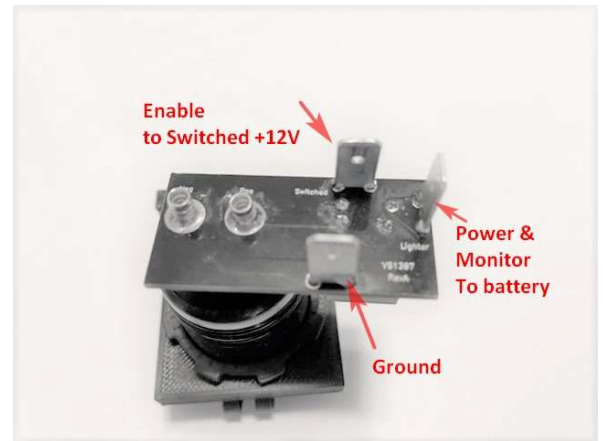
Specs:

- QC3.0 USB power compatible
- Two USB ports (charging)
- Voltage monitor
- +12VDC input, 36W output (approx. 1.5A each port). Fused 5A
- Aux relay control switches USB port off when Ignition is off to conserve battery. (Can be used without relay. Just remove from USB unit.)
- Right angle bracket is included for under dash mounting.
- Can be mounted in Dash or console (approx. 1" hole)



Installation:

- Decide mounting position and location
- Ensure there is sufficient space around circuit.
- Input 1 Enable - USB/monitor enable. Connect to a switched +12V source (typically from the fuse block after the ignition switch). Blue wire.
- Input 2 Power/ Monitor - USB ports and Battery monitoring. Connect to battery to directly monitor battery voltage and power USB ports. Red wire with 5A fuse.
- Ground - Connect to chassis ground. Black wire
Included is a right angle bracket for under dash mounting



2022_1