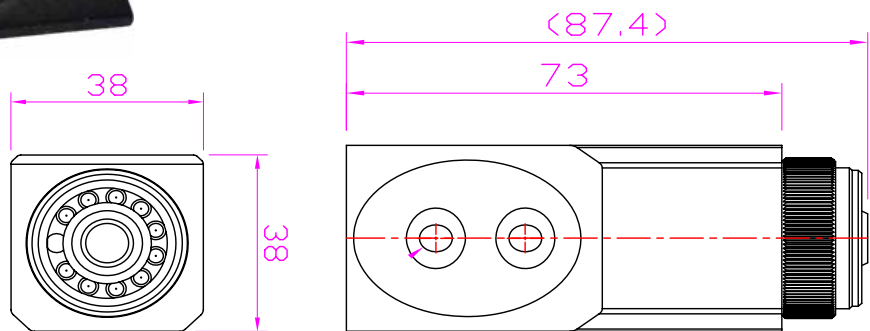


Safety Through Vision

SVS100FC

**100**  
*Serves*

## Heavy duty Fork Tine Camera



### Product Information

High impact resistant camera to mount beside Forklift Tines do you can not only view what your are picking down low but also when you are working at height. Camera is encased inside a metal housing to protect it and the camera can be rotated 360 degrees within the mount ato suit specific directional view. The SVS100FC has 4 x IR LED's to improve low light vision and a narrow field of view with 55 degrees of vision so you only see what you need to be looking at.

#### Features

- **IP68**
- **55degree Viewing Angle**
- **Mounts beside fork tines**
- **Inbuilt Camera with 4 x IR LED's**
- **Metal housing**

#### Specifications



Sensor / Viewing Angle	1/3 SONY CCD / 55degrees
Resolution	768 x 494 pixels
TV System	PAL 560TVL
Voltage	12VDC
Interface	Analog
Working Temperature	-30°C ~ +70°C
Microphone	Yes
Ingress Rating	IP68