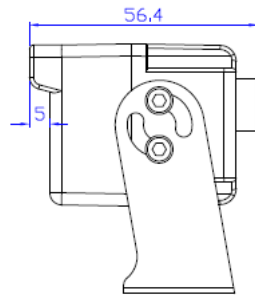
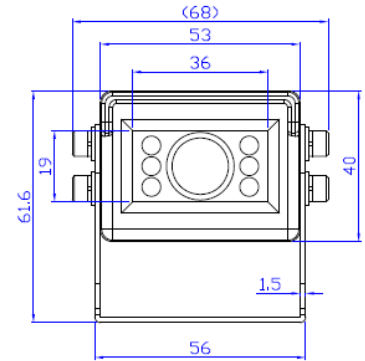


100
Series

SVS100SCMX Square Camera 700TVL



Product Information

The SVS100WSCM is the new updated Mini Square Camera in our range - with 700TVL and 1/4 Sharp Image sensor this camera produces a great image quality. With Mirror/Normal function and in our small mini range - this camera is functional and diverse allowing it to fit into most applications. With IP69K meaning the camera will handle the harshest nviroments without issue and 5IR LED's make it a real workhorse of our range. The housing is made from durable aluminium ensuring duarability in line with SVS quality. With our solid construction this is ideal for fitment on most applications.



Features

- **IP69k**
- **1/4 Sharp image sensor**
- **180mA Max Draw**
- **IR LED**
- **Solid Aluminium Housing**
- **190g**

Specifications

Ingress Rating	IP69K
Image	700TVL
TV System	PAL
Voltage	12VDC
Interface	Analog
Working Temperature	-20°C ~ +70°C
Camera Image	1/3 NVP Sharp - 120deg Viewing Angle
IR LED	5 piece 10m