

# SVSP.J2000S

PTZ Controller

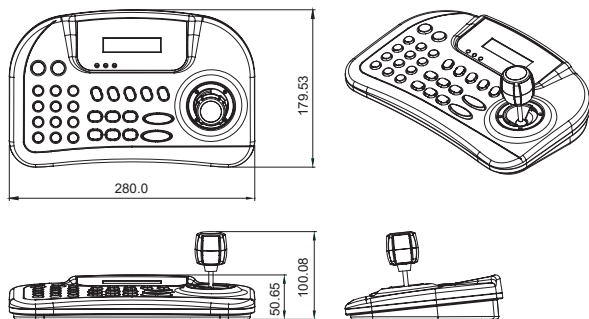


## Features

- USB mouse function
- Operate with 9V battery
- Controls up to 255 cameras
- Multiple protocol supported in each channel
- RS-485 / RS-422 communication(Tx : 3 port, TRx : 1 port).
- Programmable user preferences(Preset, Tour, Pattern, etc.)
- Built-in 3-Axis proportional joystick
- Easy upload of programmed data via serial communication
- Built-in 2 lines character LCD
- User password support
- Programmable transmission speed for each ID(2.4~57.6kbps)
- Easy to be integrated with DVR(key-code value provided)

## Dimensions

Unit : mm



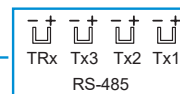
MODEL	
SPECIFICATIONS	
Keyboard Communication	Interface : RS-485 / RS-422 Operating distance : 4000R (1.2Km) on 24 AWG wire Protocol : Multiple(Pelco-D, Pelco-P, WONWOO, Etc.)(Baud rate selectable)
Connector Type Data	TERMINAL BLOCK(8p)
Keyboard Button	Rubber button Numeric keypad and camera function key
Joystick	Stick 3-axis, variable speed with zoom
Input Voltage	DC 12V or 9V battery (Battery mode)
Power Consumption	Max 140mA
LCD Display	Graphic display 16 character x2 lines
Operating Temperature	0°C ~ 45°C
Humidity	10% ~70% Non-condensing
Dimensions	280(W) x 100.08(H) x 179.3(D)mm
Weight	0.7 Kg
Packaging includes	WTX-1200A KEYBOARD, ADAPTOR Includes : USB CABLE, MANUAL, TERMINAL BLOCK(8p)

## FUNCTIONS



Mouse Function

Mouse ON/OFF(Push 2~3 Seconds)



RS-485 / RS-422 communications

Built-in 3ports of Tx, 1 port of TRx



9V Battery

Operate with a 9V battery or power adapter