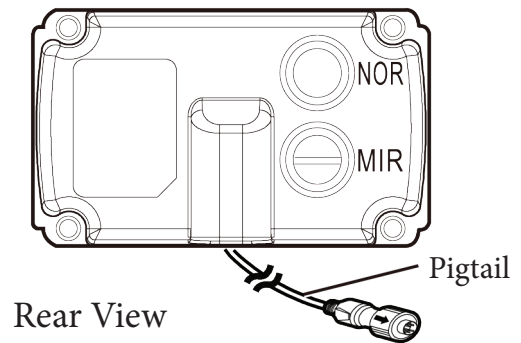
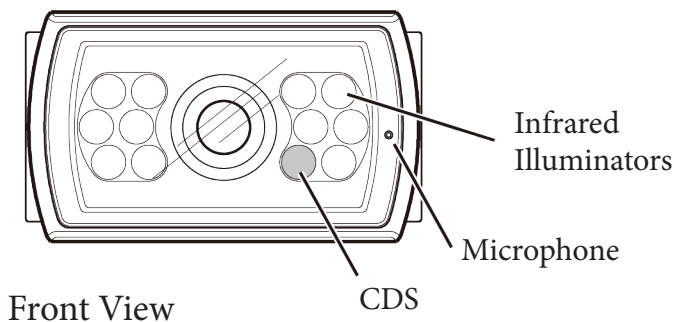


Heavy Duty Camera

Installation Guide

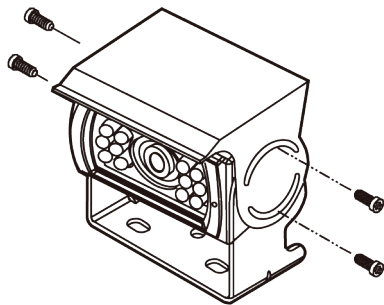
Heavy Duty Wide View Camera With Infrared LEDs
SVS200SC

Camera Controls

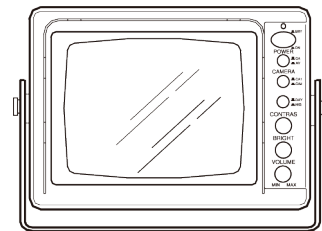


Camera Installation

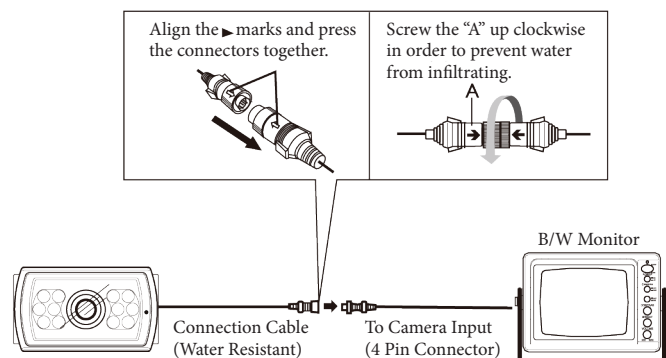
A. Attach the supplied mounting bracket to the vehicle. Adjust the angle of the camera and fasten the screws firmly.



B. Run the cable from the camera to the monitor.



Connection



Specifications

Image Device	: Interline Transfer Type CCD
Picture Element	: 270,000 Pixels
Image Size	: 8.5mm
Sync System	: Internal
Horizontal Res.	: 380 TV Lines
Min. Illumination	: 0 Lux
Power Supply	: 12VDC from Monitor
Operating Temp.	: -30oC ~ +50oC
Dimensions	: 69mm(W) x 41mm(H) x 50.7mm(D)
Weight	: 300gm
Supplied Accessories	: 5mm x 16L Stainless Screws (4)
	: Washer 5mm x 16L Stainless Screws (4)
	: Washer 4mm (4)
	: Lock Washer 4mm (4)
	: Camera Bracket (1)
	: Allen Wrench (1)